

**2 Volt SC Series**

The SC (Single Cell) or monoblock series is made of individual cells each providing 2 Volt. By combining multiple cells, batteries of nearly every voltage and capacity can be made. Depending on the capacity of the cell, one, two or four connection points for the positive and negative connections are available.

Due to the flexible design, the final shape of the battery can be adapted to the space available. The cells can be placed in any direction, creating a system with all connections on the front so it enables easy checking of individual cell voltages and the torque of the connections.

**General Features**

- Absorbent Glass Mat (AGM) technology.
- No electrolyte maintenance or water to be added.
- Not restricted for air transport, complies with IATA/ICAO Special Provision A67.
- UL-recognized components used.
- Can be mounted in any orientation.
- Computer designed lead - calcium - tin alloy grid for high power density.
- Long service life, float or cyclic applications.
- Low self discharge.
- Flame retardant ABS, UL94V-0 / 92-2.
- Cell interconnectors and covers included.

The **pbq** SC-series is designed for a functional life of 13 years under float conditions at 25°C, in accordance with the **EUROBAT** specifications or 15 years at 20°C.

Respect a 20 mm air gap between the cells on each shelf of a cabinet or rack

**Solar Systems**

With more and more emphasis on the high cost of fossil fuels, solar systems are gaining more importance day by day. The pbq SC series has been proven to be very suitable for both municipal and private applications due to its excellent charge acceptance, long functional life and compact size.

The SC-series has been built and tested to live up to the most demanding applications in the fields of:

- Telecommunications.
- UPS systems.
- Emergency power supplies.
- Solar application.
- Pumping systems in firefighting applications etc.

**Features**

- High Reliability and Good Quality.
- Deep Discharge Recovery.
- High Power Density.
- Long Service Life, in Float or Cyclic.
- International Standard, JIS and DIN.

Please ask your pbq distributor for the complete range of racks for the SC-Series.

**Models Available**

Model pbq...	Capacity in Ah	Dimensions (LxWxH1/H2)	Weight
SC100	100	171x72x206/211mm	7,2kg
SC200	200	173x111x329/341mm	15kg
SC300	300	171x151x330/342mm	20kg
SC400	400	211x176x329/341mm	28kg
SC500	500	241x173x330/365mm	33kg
SC600	600	302x175x331/343mm	40kg
SC800	800	410x175x330/342mm	57kg
SC1000	1000	475x175x330/340mm	66,5kg
SC1500	1500	400x350x345/382mm	100kg
SC2000	2000	490x350x345/382mm	132kg
SC3000	3000	710x350x345/382mm	210kg



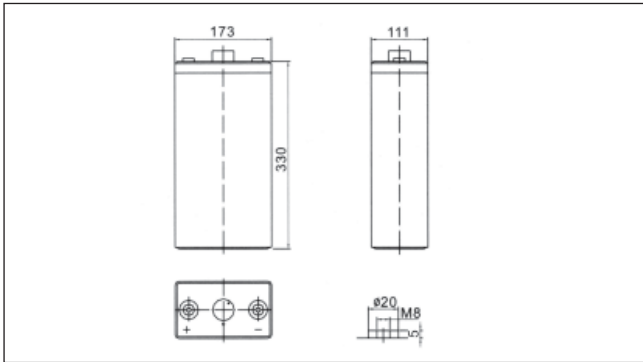
*The SC family.*



*Interconnectors are supplied with all cells.*



*pbq SC-500, 2Volt - 500Ah with cover installed.*



Voltage : 2 Volt  
 Capacity : 200Ah  
 Dimensions (LxWxH) : 173x111x329/341mm  
 Terminal : Copper M8 Insert  
 Container & lid : Flame retardant ABS  
 Standby design life : 15 years at 20°C  
 Approximate weight : 15kg  
 Certificate(s) : CE, UL  
 RoHS Compliant : Yes

**Typical Applications:**

- Backup power for:
  - Hospitals
  - Telecommunication systems
  - Computer systems
- Off-shore applications
- Trains, metro and related signaling equipment
- Fire control systems
- Solar energy systems

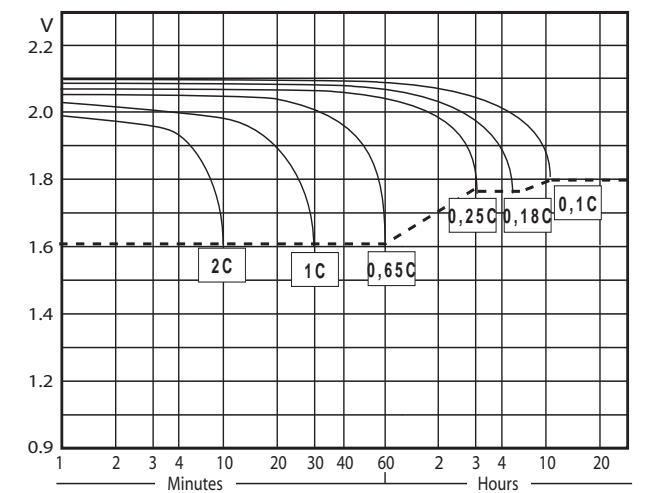
**Capacity**  
 10 hour rate (20A) : 200Ah  
 5 hour rate (36.3A) : 181.5Ah  
 1 hour rate (124A) : 124Ah

**Operating temp. range** : -10°C ~ +60°C

**Self discharge:(remaining capacity @ 20°C)**  
 3 months : 91%  
 6 months : 82%  
 12 months : 64%

**Internal Resistance (fully charged)** : 0.67mOhm

**Capacity versus temperature**  
 40°C : 102%  
 25°C : 100%  
 0°C : 85%  
 -15°C : 65%



**Max. discharge current** : 1000A (5Sec)

**Charge (constant voltage)**  
 Maximum charge current 40A  
 Float use: 2.25 - 2.30 Volt. -3,3mV/°C  
 Cyclic use: 2.35 - 2.50 Volt. -5mV/°C

Discharge data watt/battery

	Discharge time	10 min	15 min	30 min	1 hr	3 hr	5 hr
End Voltage	1,8	495	420	315	201	94,7	71,7
	1,75	517	446	331	213	98	73,5
	1,7	538	473	348	224	101	75,1
	1,65	559	499	364	235	104	76,6
	1,6	580	524	380	245	106	78